

Receiver

From

Company
Reference
Address
Phone
Fax
E-mail

Item n° : 60208443
Customer pos. no.:

Model :
DIVERTRON X 900 M

Pump data

Pressure rating :
Min. fluid temperature : 0 °C
Max. fluid temperature : 40 °C
Max. Ambient temperature :

Requested data

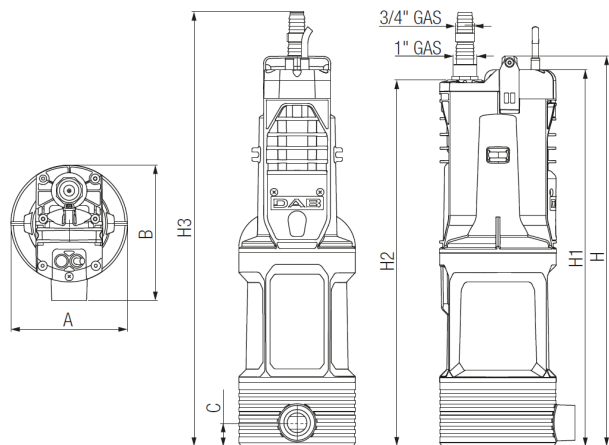
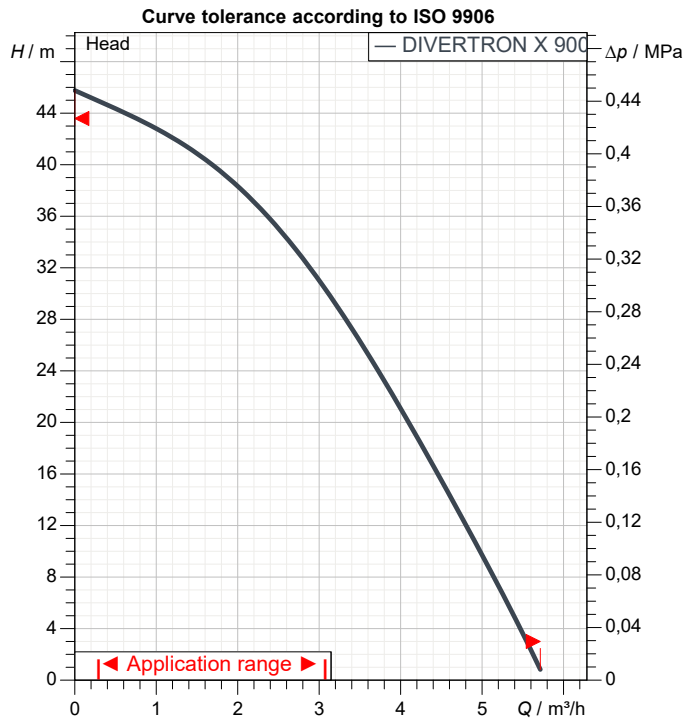
Flow :
Head :
Fluid : Water
Fluid Temperature : 20 °C
Density : 998,3 kg/m³
Kinematic viscosity : 1,005 mm²/s
Vapor pressure : 0,00234 MPa

Hydraulic data (duty point)

Flow :
Head :

Materials

Pump body : Technopolymer
Impeller : Technopolymer/AISI 304
Diffuser : Technopolymer
O-Ring : EPDM
Base : Technopolymer
Motor shaft : Stainless Steel AISI 416
Motor top body : Stainless Steel AISI 304



Motor data

Motor brand : DAB
Nominal power P2 : 0,56 kW
Rated voltage : 1~ 220-240 V
Nominal current : 4,2 A
Number of poles : 2
Rated speed : 2.800 1/min
Degree of protection : IP 68

Weight : 11 kg

Dimensions in mm

| | | | | | |
|----|-----|--|--|--|--|
| A | 160 | | | | |
| B | 186 | | | | |
| C | 33 | | | | |
| H | 536 | | | | |
| H1 | 517 | | | | |
| H2 | 503 | | | | |
| H3 | 596 | | | | |

Pump connection

Suction side : /
Discharge side : 1" G / --



PERFORMANCE CURVES

2024-03-28

Page 2 / 3

DAB PUMPS S.p.A.
Via Marco Polo, 14 - 35035 Mestrino (PD), Italy
Tel. +39 049 5125000 - Fax +39 049 5125950
www.dabpumps.com

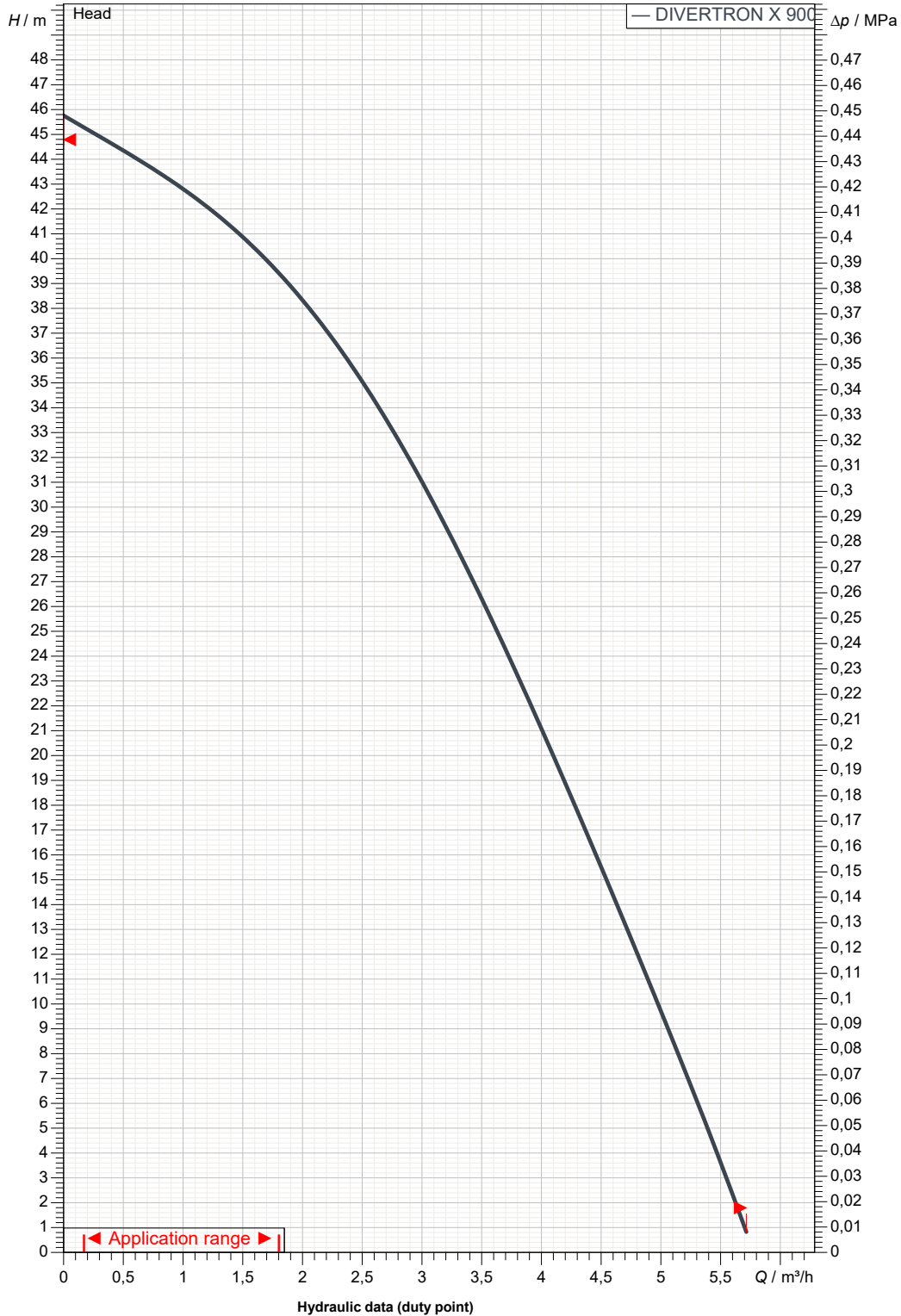
Receiver

From

Company
Reference
Address
Phone
Fax
E-mail

DIVERTRON X 900 M

Curve tolerance according to ISO 9906



Suction side :

Discharge side :
1" G
--

Flow :

Head :

Rated speed :
2.800 1/min

MAIN_PROJECT_TITLE

BUSINESS_PROCESS_ID

OWNER_

ISSUE_DATE
2024-03-28



DIMENSIONAL DRAWING

2024-03-28

Page 3 / 3

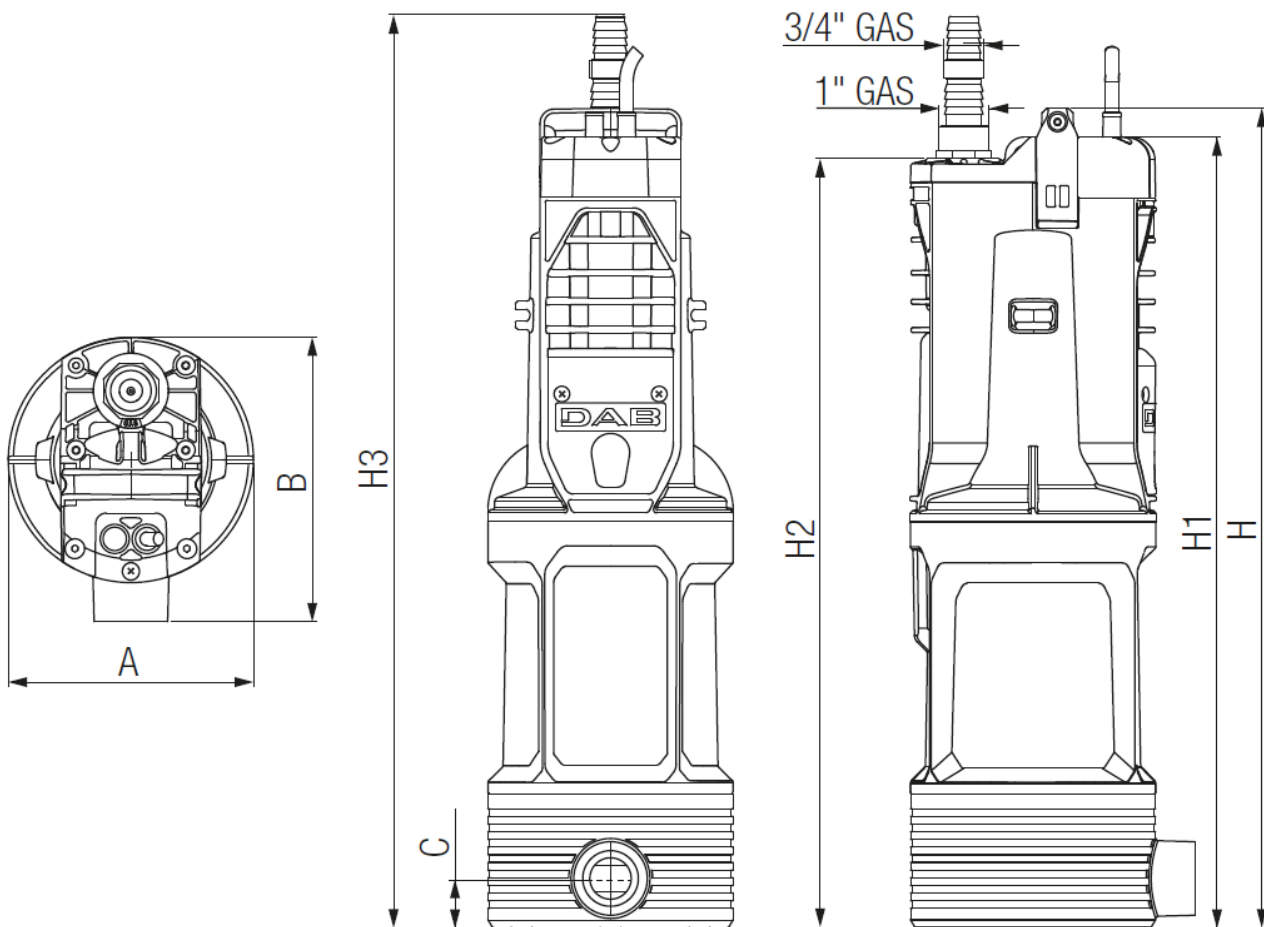
DAB PUMPS S.p.A.
Via Marco Polo, 14 - 35035 Mestrino (PD), Italy
Tel. +39 049 5125000 - Fax +39 049 5125950
www.dabpumps.com

Receiver

From

Company
Reference
Address
Phone
Fax
E-mail

DIVERTRON X 900 M



| Dimensions in mm | | | | | | | Pump connection |
|------------------|----|-----|--|--|--|--|-------------------------|
| 1 | A | 160 | | | | | Suction |
| 2 | B | 186 | | | | | |
| 3 | C | 33 | | | | | |
| 4 | H | 536 | | | | | Discharge 1" G -- |
| 5 | H1 | 517 | | | | | |
| 6 | H2 | 503 | | | | | |
| 7 | H3 | 596 | | | | | |
| 8 | | | | | | | |
| 9 | | | | | | | |
| 10 | | | | | | | |
| 11 | | | | | | | |

| | | | |
|--------------------|---------------------|-------|---------------------------------|
| MAIN_PROJECT_TITLE | BUSINESS_PROCESS_ID | OWNER | ISSUE_DATE 2024-03-28 |
|--------------------|---------------------|-------|---------------------------------|